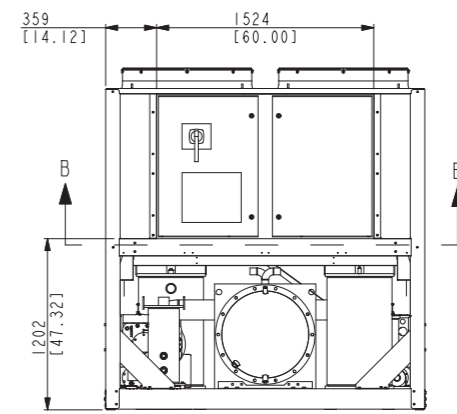
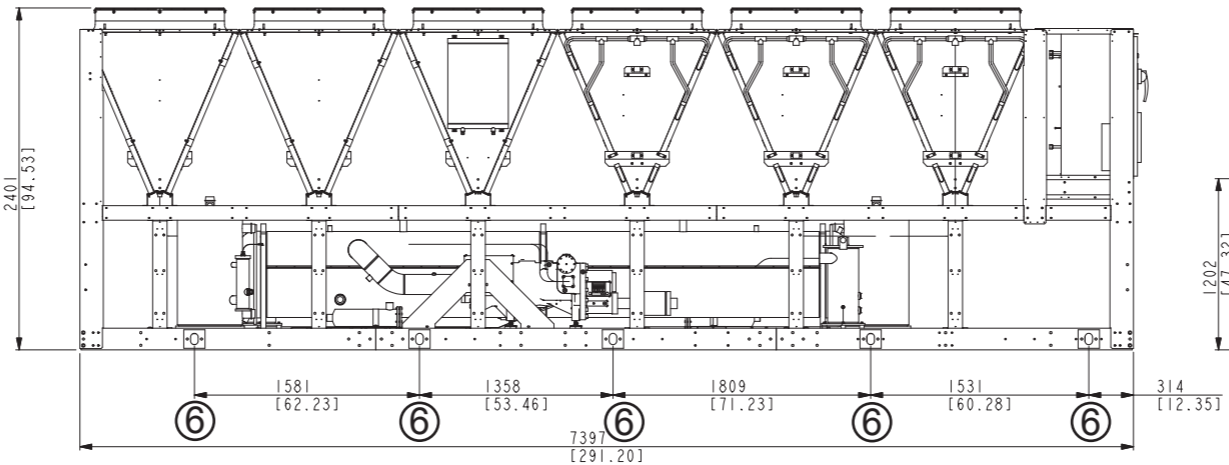
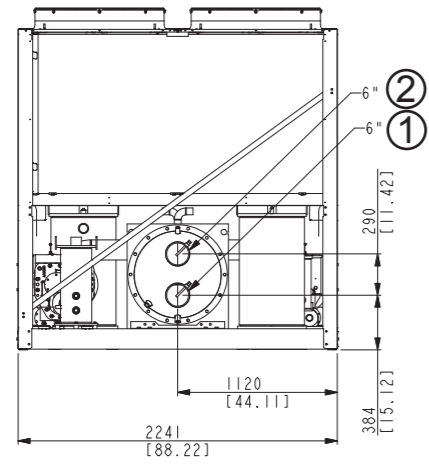
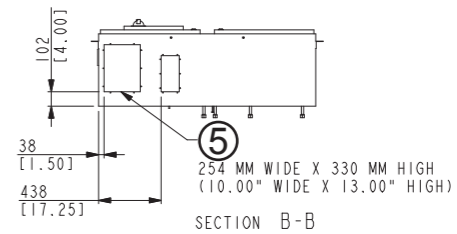
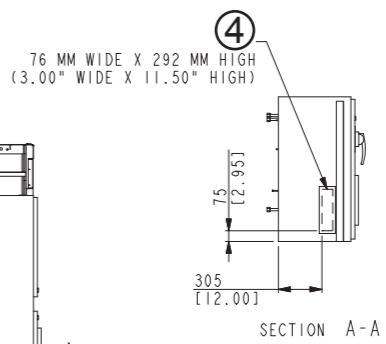
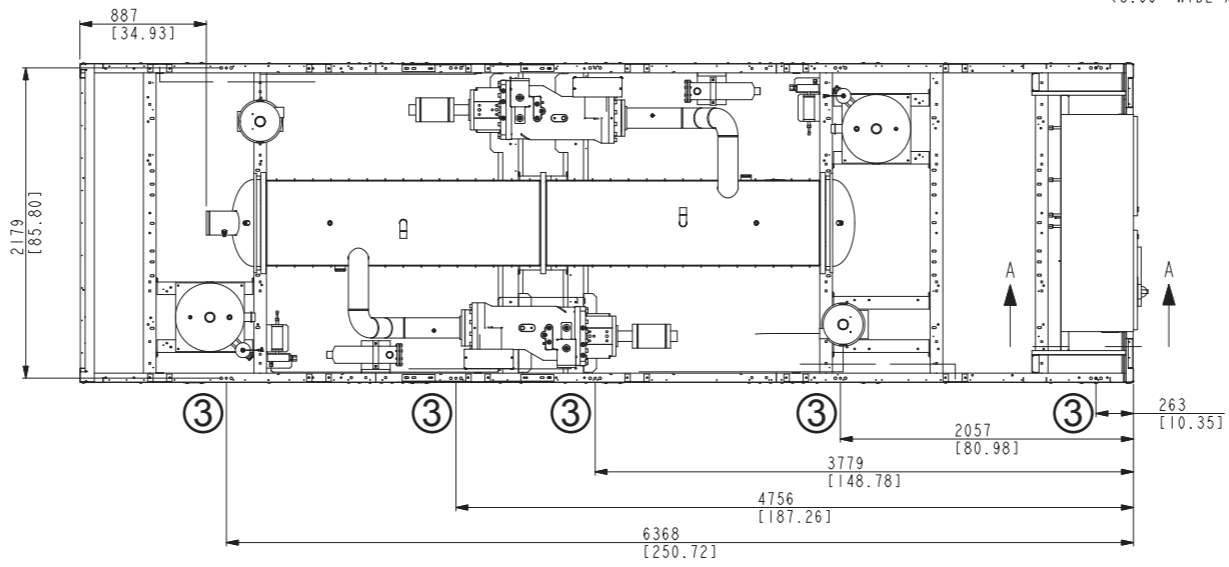


16 15 14 13 12 11 10 9 8 7 6 5 4 3 2 1

L
K
J
I
H
G
F
E
D
C
B
A

L
K
J
I
H
G
F
E
D
C
B
A



DRAWING TOLERANCES	
TOLERANCES IN TABLE APPLY UNLESS OTHERWISE SPECIFIED IN DIMENSIONS ON THE DRAWING	
XXX	±1.5mm (.0591)
XXX.X	±.75mm (.0301)
XXX.XX	±.35mm (.0141)
ANGLES	±1° 0'

NOTE: PRIMARY DIMENSIONS ARE IN STANDARD MILLIMETER. IMPERIAL INCH DIMENSIONS ARE SHOWN IN BRACKETS.

	JOHNSON CONTROLS - BUILDING EFFICIENCY 507 EAST MICHIGAN STREET, MILWAUKEE, WI, 53202 USA	
	PRODUCT DRAWING 0178/0588 CORSAIR	MATERIAL ENG. STD. PART NO. CUT SIZE
DRAWN P.H.TILLITZKY 08-DEC-2010 MODELER G.TURNER 27-SEP-2010 CHKD B.BAHN 08-DEC-2010 ENG	CAGE NUMBER 66935	DRAWING NUMBER 035-23234-925
SCALE: 0.042 MASS (kg): 2961694.77B0RIG. NO.:	SHEET 1 OF 1	REVISION A VERSTON 1+ RELEASED

REV.	DATE	EC. NO.	DR.	CHK.	ENG.
A	07-JAN-2011	DX11-0003	P.H.T.	B.BAHN	ENG.
ADD VSD DIMENSIONS.					
CONTINUED					

ALL PROPRIETARY RIGHTS IN THE SUBJECT MATTER HEREOF ARE RESERVED AND NO PERMISSION IS GRANTED TO REPRODUCE THIS PRINT IN WHOLE OR IN ANY PART, OR DISCLOSE ANY OF THE INFORMATION UPON IT TO OTHERS WITHOUT WRITTEN RELEASE BY JOHNSON CONTROLS INCORPORATED

16 15 14 13 12 11 10 9 8 7 6 5 4 3 2 1